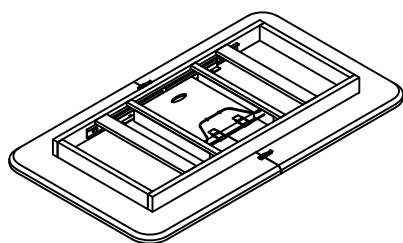
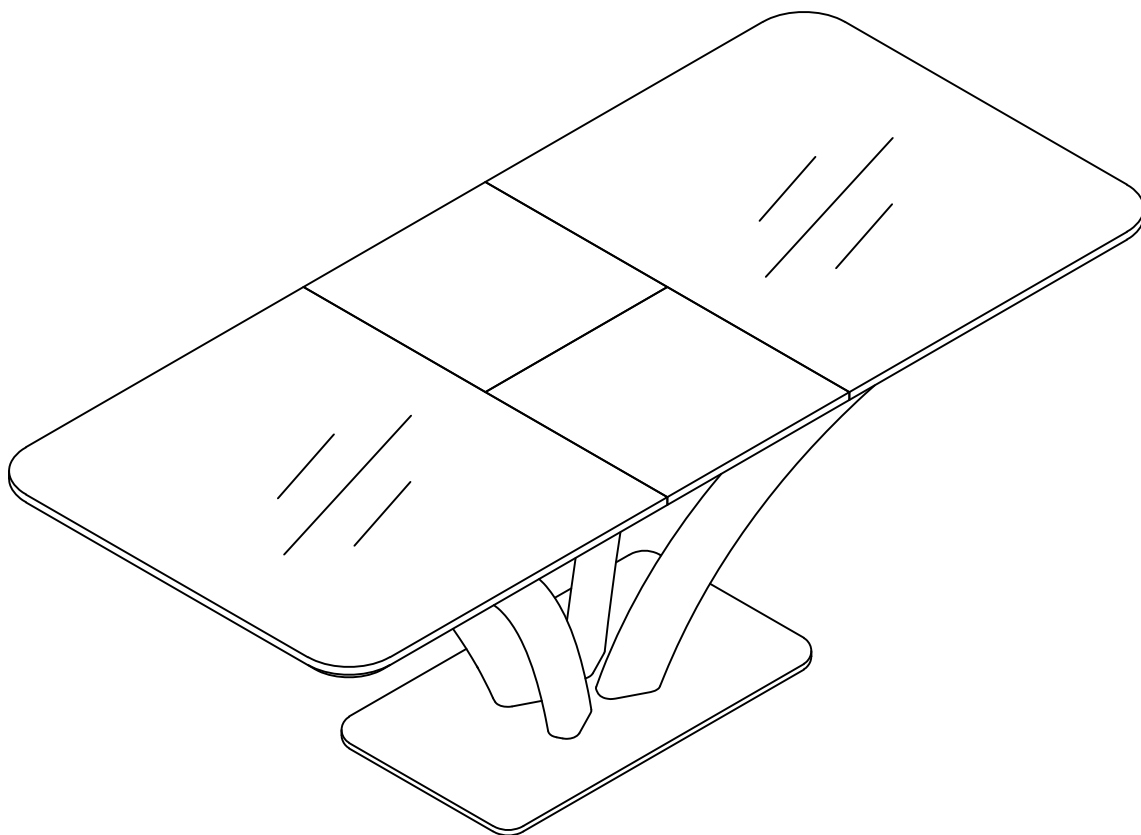
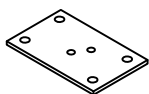


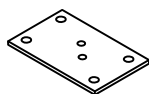
# ASSEMBLY INSTRUCTION



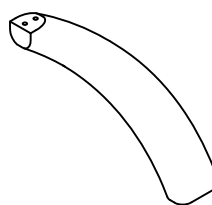
① x1



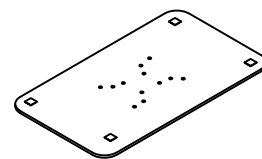
② x2



③ x2



④ x4

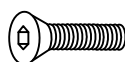


⑤ x1

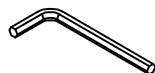
A (M8x20mm) x16



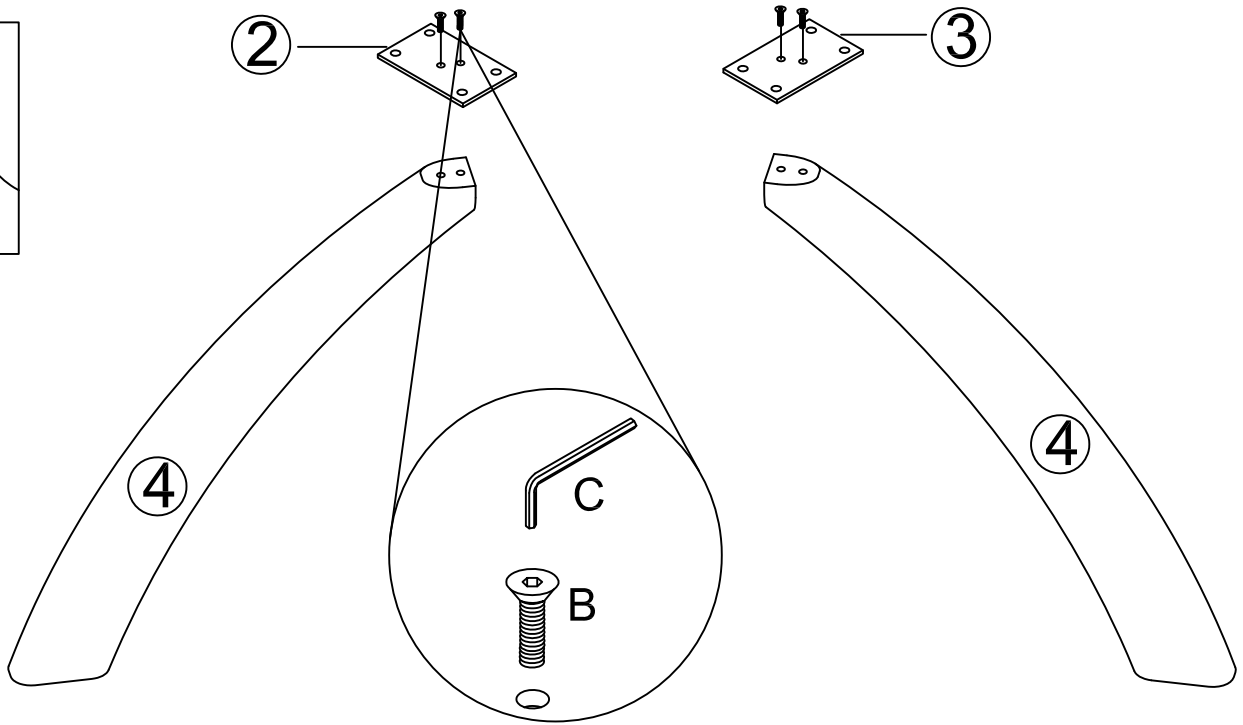
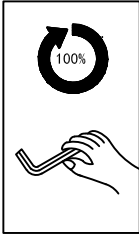
B (M8x30mm) x20



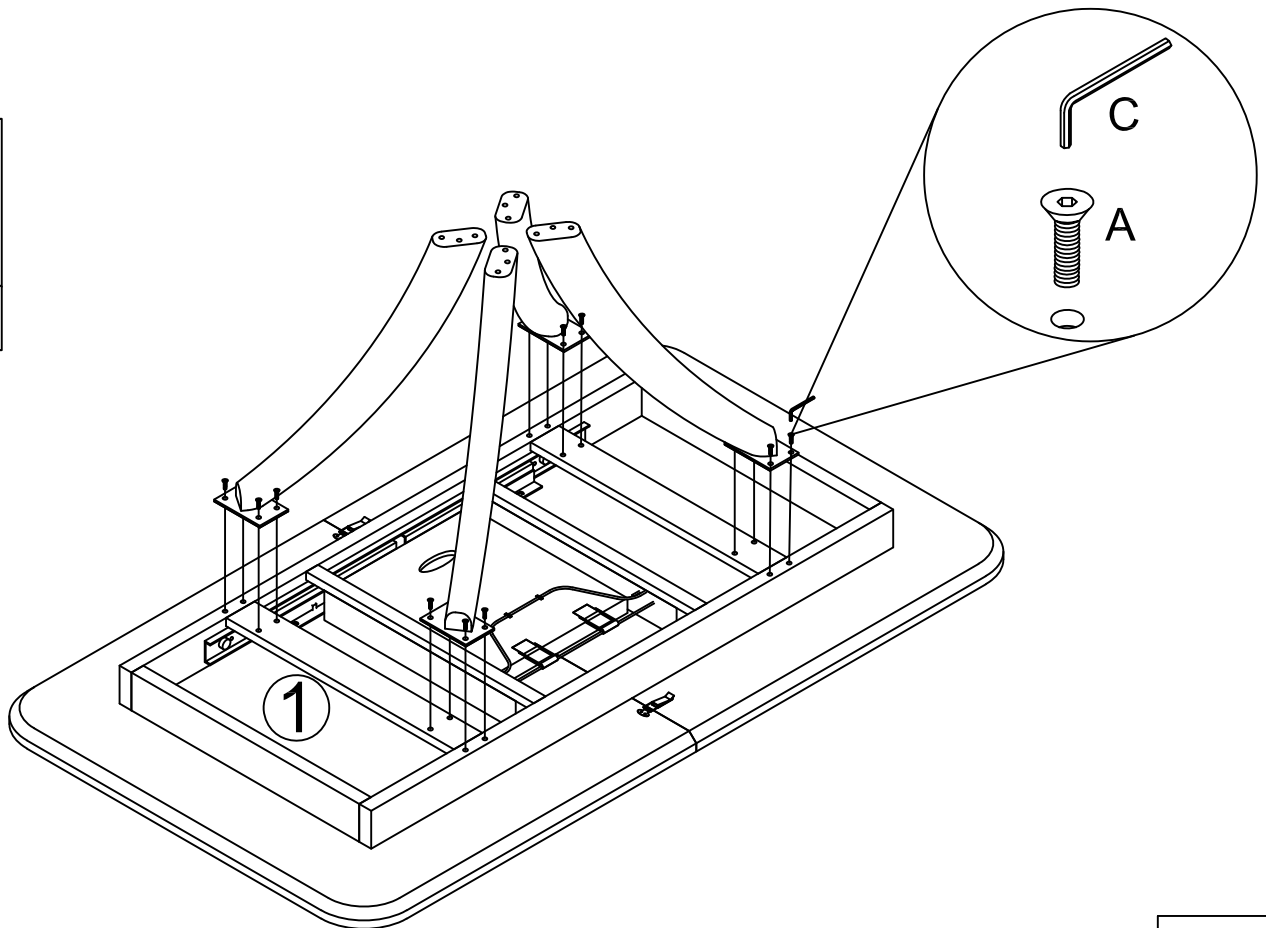
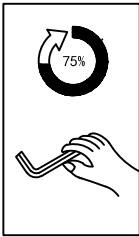
C (M5) x1



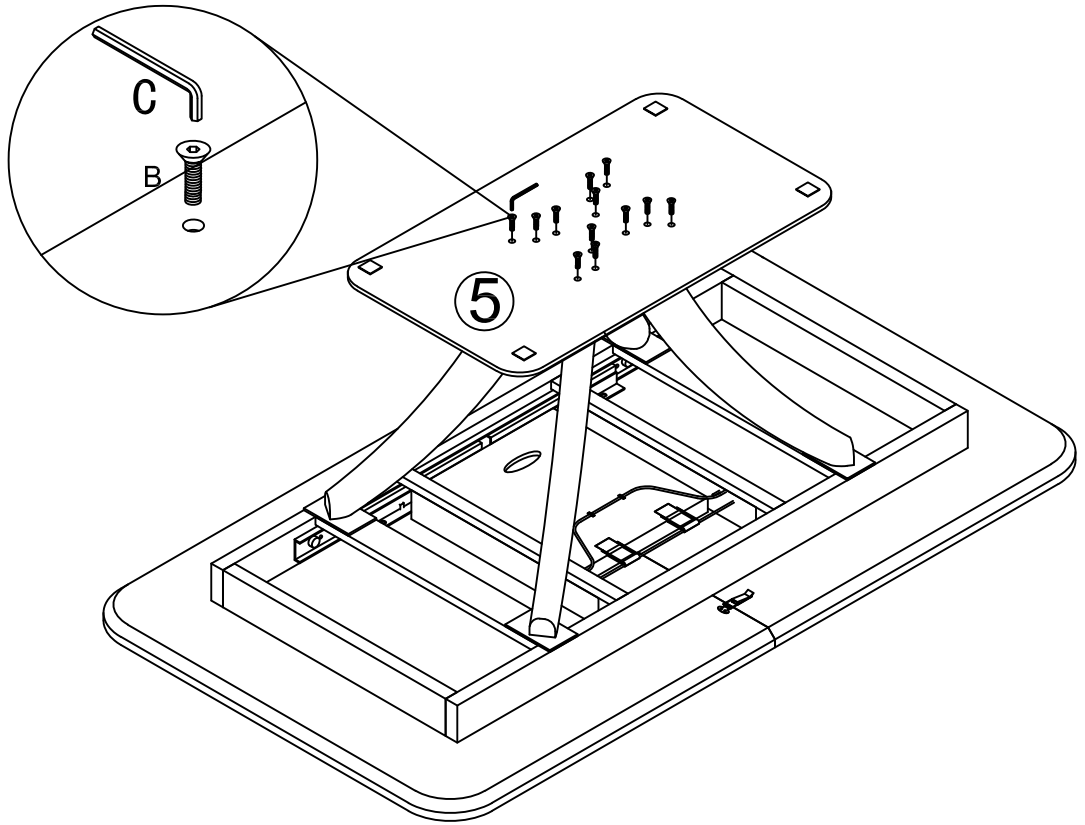
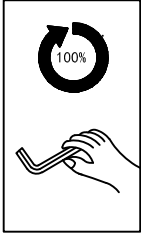
# STEP1



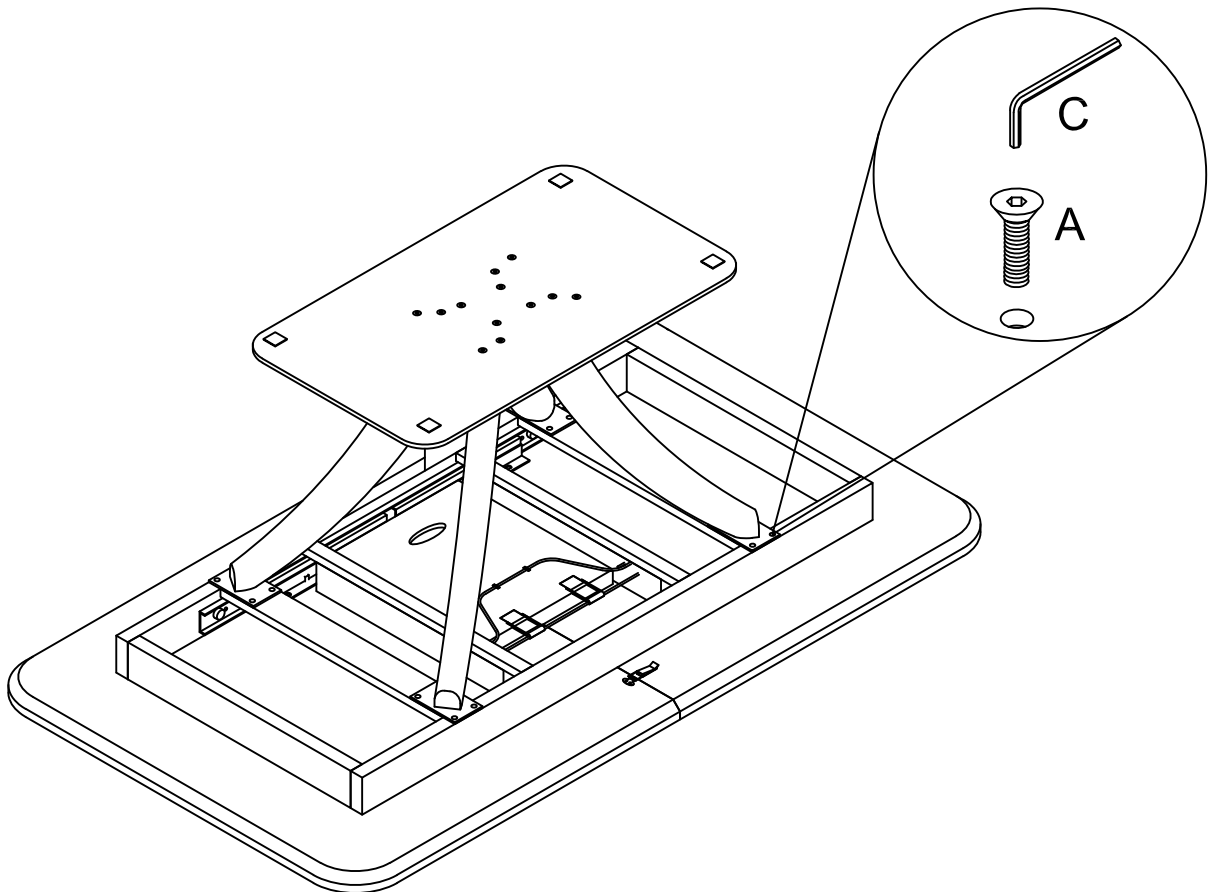
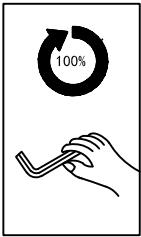
# STEP2



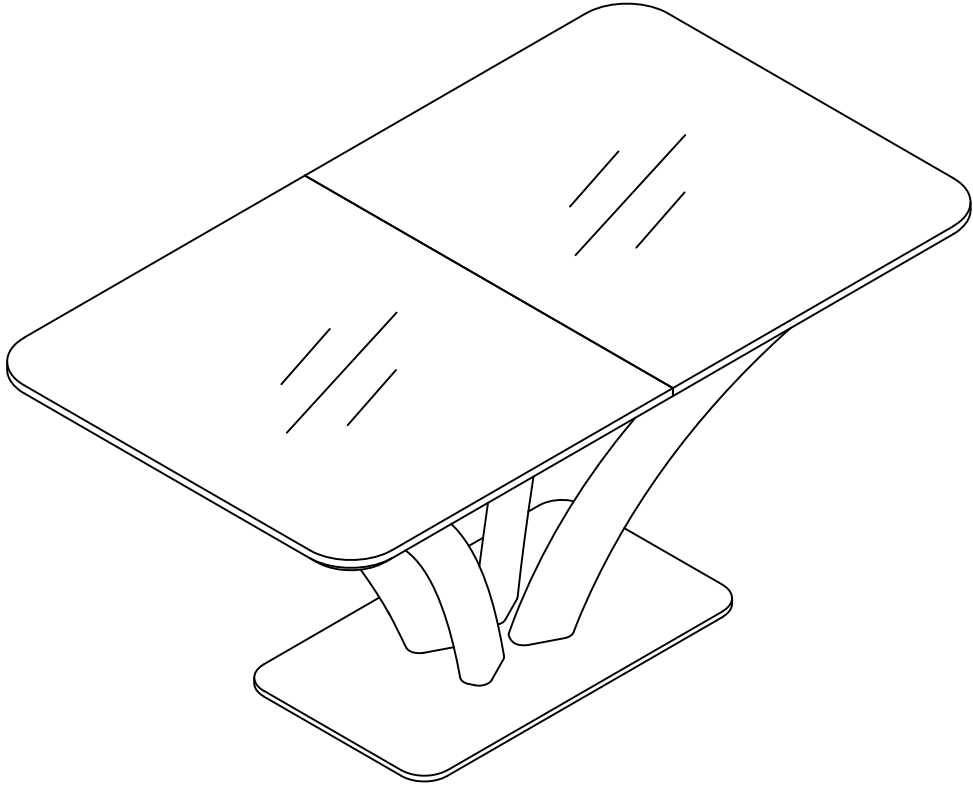
# STEP3



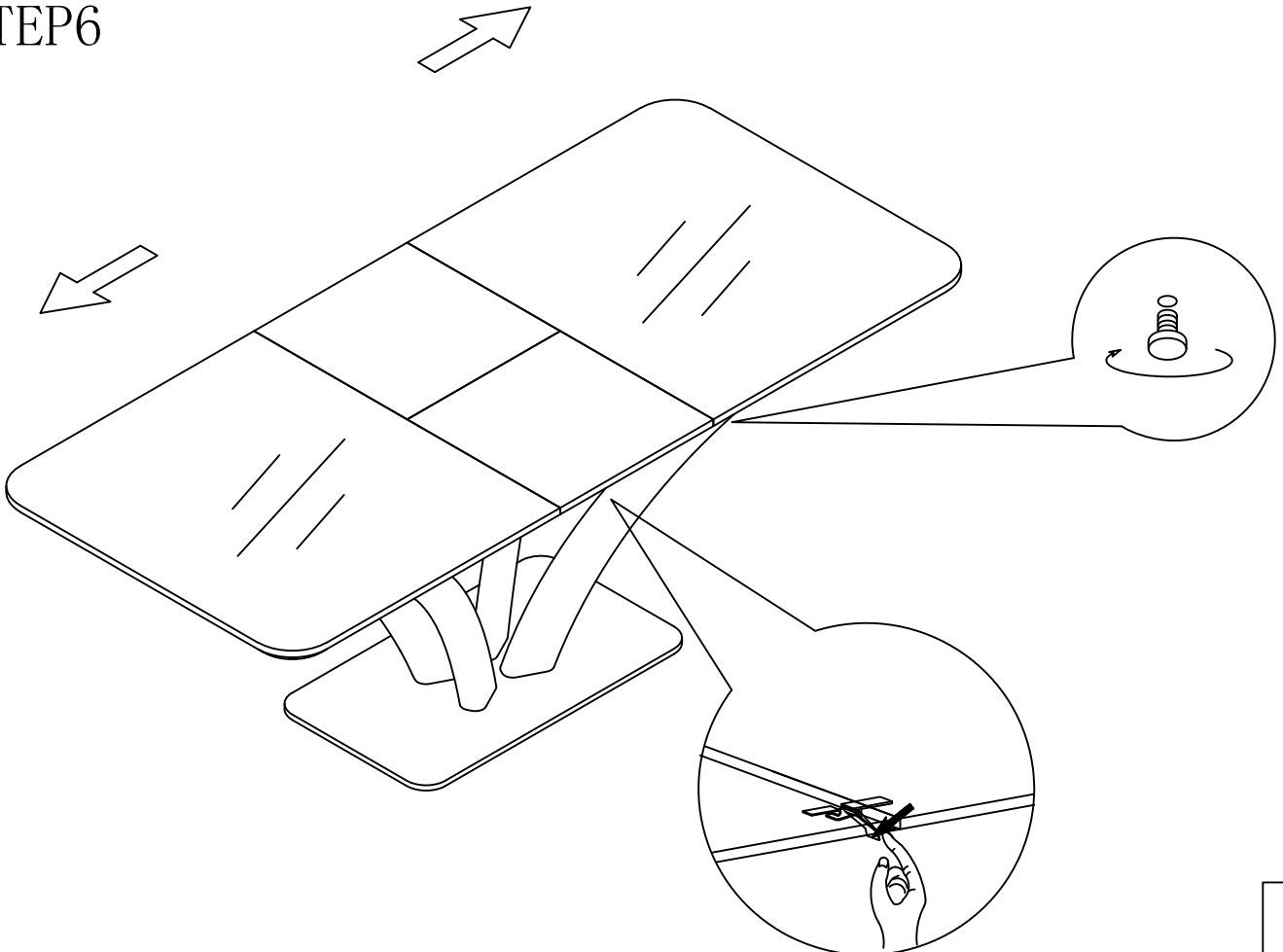
# STEP4



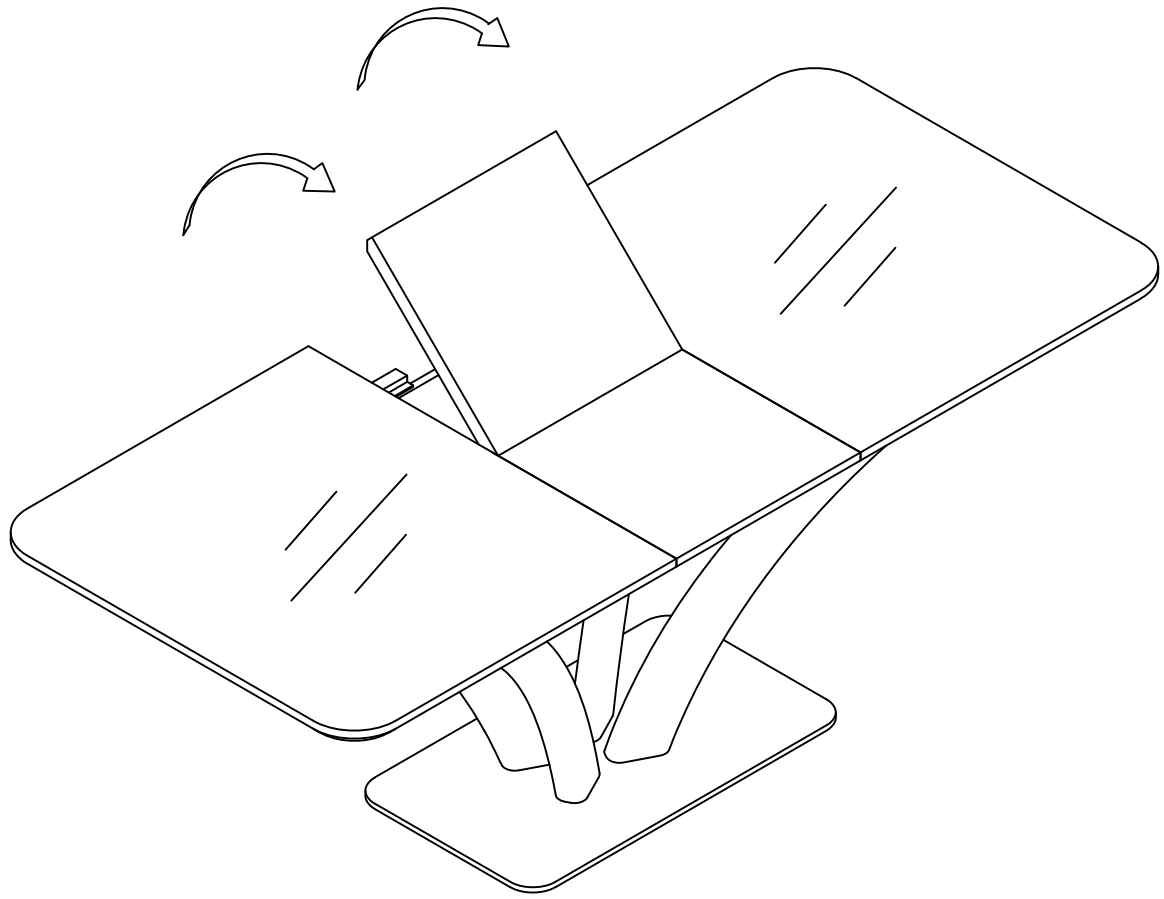
# STEP5



# STEP6



# STEP 7



# STEP 8

